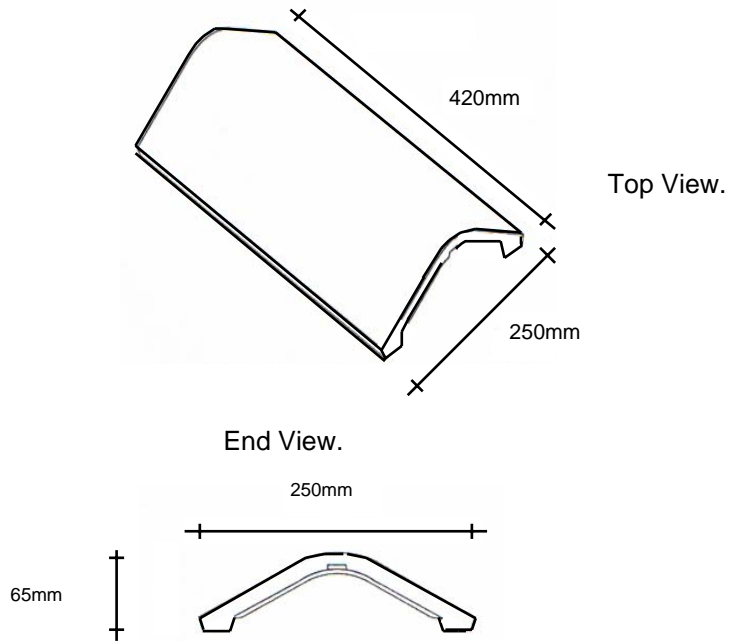




# RIDGE PROFILE



## Specifications

**Construction:** Extruded concrete ridge cap with a colour formula that consists of a mixture of sand, cement, oxides and sealer coat. Manufactured to exceed the minimum requirements of AS2049-2002.

**Application:** Ridge caps to be installed as a roof covering for Top Ridge abutments and Hip Ends

**Weight:** 3.7 Kgs

**Ridge per LM:** 2.6 (Based on maximum setout.)

**KILOGRAMS PER METER:** 9.62 kgs  
**SAND&CEMENT BED:** 4:1 ratio  
**POINTING:** synthetic